

RI-CT070 Series



Single Phase Moulded Case Current Transformers

- From 100A to 800A Primary currents
- 5A or 1A Secondary output
- 60mm width
- 40 x 10mm, 30 x 12mm or Ø28mm cable aperture
- Sealable terminal cover
- Supplied with DIN Rail mounting clip, Busbar fixing and mounting feet
- Compact design
- Indication of primary current flow (arrows on case body)

Ø 28mm

40 x 10mm

30 x 12mm

Product Description

The RI-CT070 Series forms part of a large family of solid core single phase moulded case current transformers from Rayleigh Instruments.

These transformers are suitable for monitoring current flow in commercial, industrial or utility applications. They are designed to connect any standard metering or relay product requiring a 5A or 1A output and are available with Primary current input ranges from 100A to 800A.

The RI-CT070 Series have been designed for ease of installation and are supplied with DIN rail clip, Busbar fixings and fixing feet. They also have clear markings moulded into the case to indicate the correct direction of primary current flow to minimise installation errors.

Parameters

Primary Current	Burden			Order Code
	Class 0.5 VA	Class 1 VA	Class 3 VA	
100	-	2	2.5	0100
150	1.25	2	2.5	0150
200	1.5	2	3	0200
250	2.5	3.75	5	0250
300	3	4	5	0300
400	4	5	6	0400
500	5	5	10	0500
600	5	6	7	0600
800	6	7	8	0800

Available with 5A or 1A Secondary

Rated Standard

Rated Primary Current (I_{pr})	100...800A
Frequency Range (f_R)	47...63Hz
Rated continuous over current (I_{cth})	1.2 x rated current
Rated short time thermal current (I_{th})	<60 I_n
Rated dynamic current (I_{dyn})	2.5 I_{th}
Instrument security factor (FS)	≤5
Rated Secondary output (I_{sr})	5A or 1A
Accuracy class	Class 0.5, 1 and 3 to IEC/EN61869-2

Insulation

Insulation type	Dry transformer, air insulation; Class B
Highest voltage (U_m)	0.72kV r.m.s.
Rated insulation level	3kV r.m.s. 50Hz/1 min

Environmental Conditions

Reference temperature	23°C ±1°C
Nominal temperature range	-25°C...50°C
Daily mean temperature	≤30°C
Limit temperature range for storage	-40°C...85°C
Relative humidity	≤85% non condensing

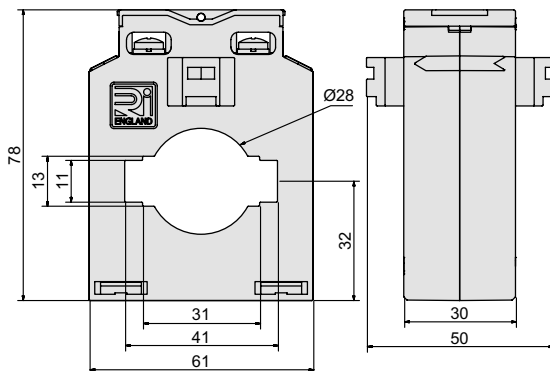
Housing

Housing material	Self extinguishing polycarbonate
Protection degree (IEC/EN60529)	IP40 housing, Terminals IP20
Mounting	Foot mounting, busbar mounting or snap on 35mm DIN rail mounting
Weight	≤250g

Connections

Primary winding	Passing cable
Secondary winding	Screw clamp connection - 6mm ² Max.

Dimensions (mm)



Accessories

The RI-CT070 series of current transformers come supplied with fixing feet, busbar clamping screws with insulator feet and a robust DIN rail mounting clip.



Information Required with Order

Build your order number - example	RI-CT070 5A 0300
Model	
Secondary Current	
Primary Current Range - See Parameters Table 'Order Code'	