

RI-CT075 Series



Single Phase High-accuracy Current Transformers

- From 100A to 800A Primary currents
- 5A Secondary output (1A available on request)
- 60mm width
- 40 x 10mm, 30 x 12mm or Ø28mm cable aperture
- Sealable terminal cover
- Supplied with DIN Rail mounting clip, Busbar fixing and mounting feet
- Compact design
- Indication of primary current flow (arrows on case body)

Ø 28mm

40 x 10mm

30 x 12mm

Product Description

The RI-CT075 Series forms part of a growing family of solid core single phase high-accuracy moulded case current transformers from Rayleigh Instruments.

These transformers are suitable for monitoring current flow in commercial, industrial or utility applications. They are designed to connect any standard metering or relay product requiring a 5A (or 1A) output and are available with Primary current input ranges from 100A to 800A

The RI-CT075 Series have been designed for ease of installation and are supplied with DIN rail clip and Busbar fixings. They also have clear markings moulded into the case to indicate the correct direction of primary current flow to minimise installation errors.

Parameters

Primary Current	Burden					Order Code
	Class 0.2S VA	Class 0.2 VA	Class 0.5S VA	Class 0.5 VA	Class 1 VA	
100A	1.5	1.5	2	2	2.5	0100
150A	2.5	2.5	3.5	3.5	3.5	0150
200A	3	3	4	4	4	0200
250A	3.5	3.5	4	4	4	0250
300A	5	5	5	5	5	0300
400A	5	5	5	5	5	0400
500A	5	5	5	5	5	0500
600A	5	5	5	5	5	0600
800A	5	5	5	5	5	0800

Available with 5A Secondary (1A Secondary available on request)

Rated Standard

Rated Primary Current (I_{pr})	100...800A
Frequency Range (f_R)	47...63Hz
Rated continuous over current (I_{cth})	1.2 x rated current
Rated short time thermal current (I_{th})	<60 I_n
Rated dynamic current (I_{dyn})	2.5 I_{th}
Instrument security factor (FS)	≤5
Rated Secondary output (I_{sr})	5A (1A available on request)
Accuracy class	Class 0.2S, 0.2, 0.5S, 0.5 and 1 to IEC/EN61869-2

Insulation

Insulation type	Dry transformer, air insulation; Class B
Highest voltage (U_m)	0.72kV r.m.s.
Rated insulation level	3kV r.m.s. 50Hz/1 min

Environmental Conditions

Reference temperature	23°C ±1°C
Nominal temperature range	-25°C...50°C
Daily mean temperature	≤30°C
Limit temperature range for storage	-40°C...85°C
Relative humidity	≤85% non condensing

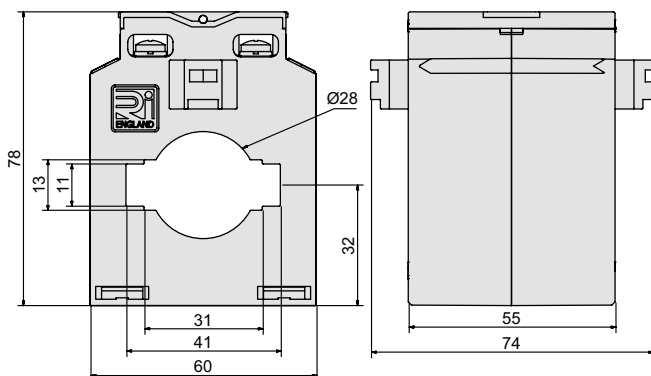
Housing

Housing material	Self extinguishing polycarbonate
Protection degree (IEC/EN60529)	IP40 housing, Terminals IP20
Mounting	Busbar mounting or snap on 35mm DIN rail mounting
Weight	≤340g

Connections

Primary winding	Passing cable
Secondary winding	Screw clamp connection - 6mm ² Max.

Dimensions (mm)



Accessories

The RI-CT075 series of current transformers come supplied busbar clamping screws with insulator feet and a robust DIN rail mounting clip.



Information Required with Order

Build your order number - example	RI-CT075 5A 0300
Model	
Secondary Current	
Primary Current Range - See Parameters Table 'Order Code'	